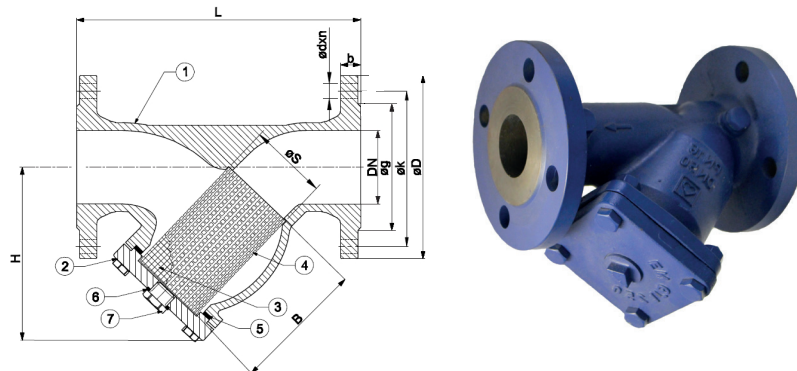


HERZ - Strainer, Y - type

Data sheet 4 4111 XX, Issue 0218

☑ Dimensions in mm



| DN | 50 2" | 65 2-1/2" | 80 3" | 100 4" | 125 5" | 150 6" | 200 8" | 250 10" | 300 12" | 350 14" | 400 16" |
|--------------|-----------|--------------|-----------|-----------|-----------|-----------|-----------|------------|------------|------------|------------|
| Order number | 4 4111 80 | 4 4111 81 | 4 4111 82 | 4 4111 83 | 4 4111 84 | 4 4111 85 | 4 4111 86 | 4 4111 87 | 4 4111 88 | 4 4111 89 | 4 4111 90 |
| L | 230 | 290 | 310 | 350 | 400 | 480 | 600 | 730 | 850 | 980 | 1100 |
| H | 145 | 165 | 175 | 236 | 267 | 298 | 340 | 390 | 440 | 520 | 630 |
| H max. | 260 | 333 | 363 | 454 | 510 | 579 | 657 | 875 | 960 | 1160 | 1329 |
| B | | 132 | 149 | 192 | 227 | 244 | 313 | 395 | 425 | 640 | 699 |
| S | | 78 | 89,5 | 109 | 135 | 160 | 210 | 258 | 308 | 365 | 410 |
| D | 165 | 185 | 200 | 220 | 250 | 285 | 340 | 405 | 460 | 520 | 580 |
| k | 125 | 145 | 160 | 180 | 210 | 240 | 295 | 355 | 410 | 470 | 525 |
| g | 99 | 118 | 132 | 156 | 184 | 211 | 266 | 319 | 370 | 429 | 480 |
| b | 20 | 20 | 22 | 24 | 26 | 26 | 30 | 32 | 32 | 36 | 38 |
| d | 19 | 19 | 19 | 19 | 19 | 23 | 23 | 28 | 28 | 28 | 31 |
| n | 4 | 4 | 8 | 8 | 8 | 8 | 12 | 12 | 12 | 16 | 16 |
| Weight [kg] | 10,5 | 16 | 21,5 | 28,5 | 39 | 52,5 | 89,5 | 149 | 228 | 340 | 505 |
| Mesh | 600 µm | | | 1500 µm | | | | | | | |

☑ Specification

Temperature range: -10°C ... +110°C
 Pressure rate: PN16
 Flange Dimensions according to EN1092-2
 Coating painted blue RAL5000

For hot and cold water systems for fluids excluding acid and flammable fluids. Heating water quality according ÖNORM H5195 or VDI-Standard 2035. The use of ethylene or propylene glycol in a mixing ratio 25- 50% is allowed.

☑ kvs values

| DN | 50 | 65 | 80 | 100 | 125 | 150 | 200 | 250 | 300 | 350 | 400 |
|-----|----|----|-----|-----|-----|-----|-----|-----|------|------|------|
| Kvs | 51 | 70 | 114 | 197 | 271 | 349 | 449 | 994 | 1566 | 2461 | 3645 |

☑ Materials

Body (1) GG25
 Bonnet (2) GG25
 Filter (3) AISI 304
 Reinforcing frame (4) Stainless steel
 Gasket (5) Klingerit
 Plug gasket (6) Copper
 Plug (7) Steel St37

| | |
|--------------|--------------|
| HERZ Diagram | Strainer |
| 4 4111 XX | DN50 - DN400 |

