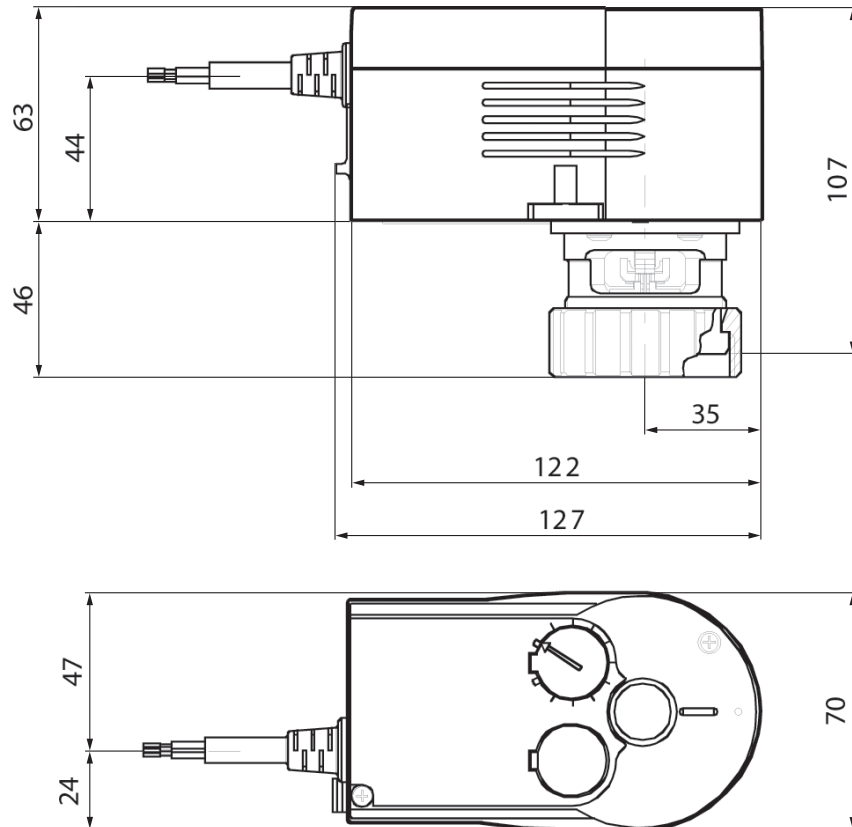


Actuators for 3-Way-Valves

Datasheet for 1 **7712 11**, 1 **7712 50**, 1 **7712 51**, Issue 0216

☑ Dimensions in mm



☑ Design

Two-part housing made of self-extinguishing plastic, lower section black, upper section yellow; Synchronous motor with control and electronic cut-off; Maintenance-free gearbox with magnetic clutch; Console made of glass-fibre-reinforced plastic; Brass box nut for fitting valve; Gearbox that can be disengaged for positioning valve manually (Allen key included)

- 1 **7712 11** **Actuation of three-way valves 24 V** For controllers with continuous output (0...10 V) or switching output (2-point or 3-point control).
- 1 **7712 50** **Actuation of three-way valves 230 V**
For controllers with a switching output (2/3-point control).
- 1 **7712 51** **Actuation of three-way valves 24 V**
For controllers with a switching output (2/3-point control).

☑ Installation

Installation is allowed in vertical and horizontal positions, but not upside down.

☑ Technical data

		1 7712 11	1 7712 50/51
Operation time		60 / 120 s	120 s
Stroke			8 mm
Pushing force			500 N
Weight			0,7 kg
Max. operating temperature			100 °C on valve body
Ambient temperature			-10 to 55 °C
Ambient humidity			5 to 95% r.F.
Electrical protection			IP 54 (EN 60529)

1 7712 11	Control signal	0 to 10 V, Rj >100 kOhm
	Positional feedback signal	0 to 10 V, load > 10 kOhm
	Starting point U0	0 to 10 V
	Control span delta U	10 V
	Switching range Xsh	200 mV
	Power supply	24 V +/- 20%, 50 to 60 Hz
	Power consumption	60 s 120 s
	Operating	7 VA 5 VA
	Standstill	0,5 VA 0,5 VA
	Response time	200 ms

1 7712 50	Power supply	230 V +/- 15%, 50 to 60 Hz
	Power consumption	120 s
	Operating	1,6 VA
	Standstill	1,6 VA
	Response time	100 ms

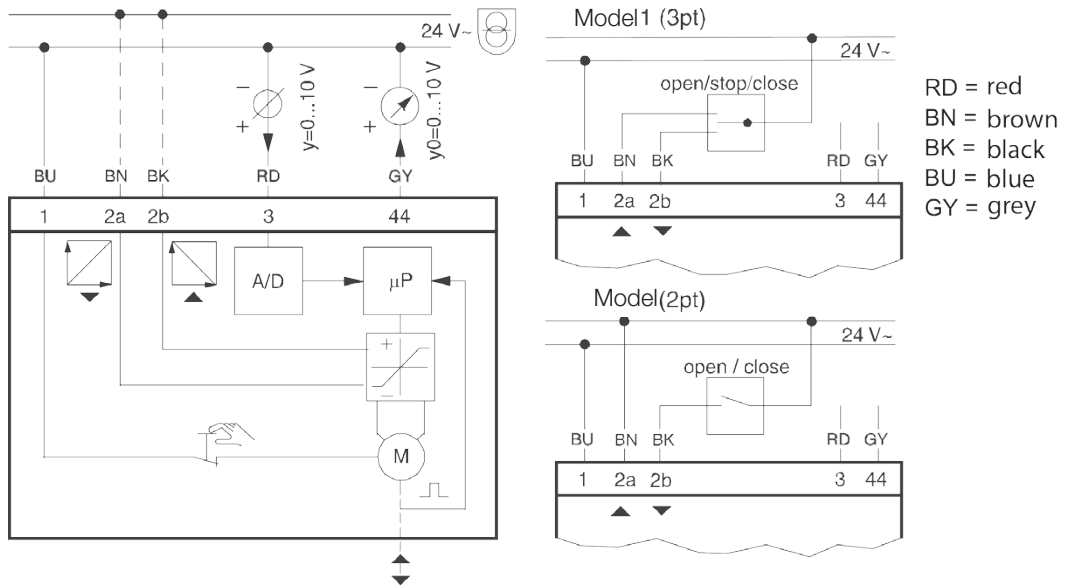
1 7712 51	Power supply	24 V ~ +/-F95 20%, 50 to 60 Hz
	Power consumption	120 s
	Operating	1,5 VA
	Standstill	1,5 VA
	Response time	100 ms

☑ Accessories

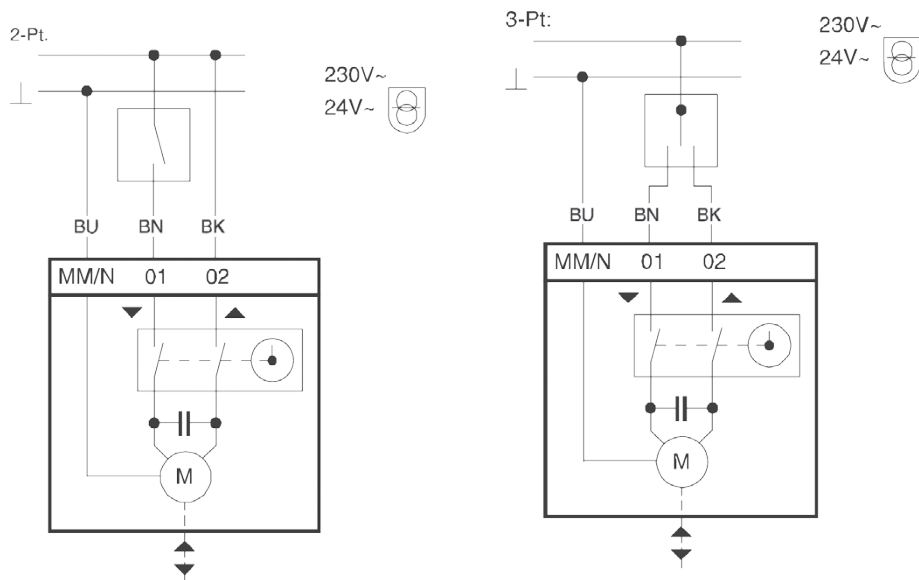
1 4037 ..	HERZ-Three-Way Mixing and Diverting Valves
1 7796 04	Transformer 230 V / 24 V, 50 Hz, 50 VA
1 7793 24	HERZ-Electronic Heating Controller 24 V
1 7793 01	External temperature probe for heating controller
1 7793 00	Touch temperature probe for heating controller
1 7940 62	HERZ-RTC-Electronic Control System for Continuous Control

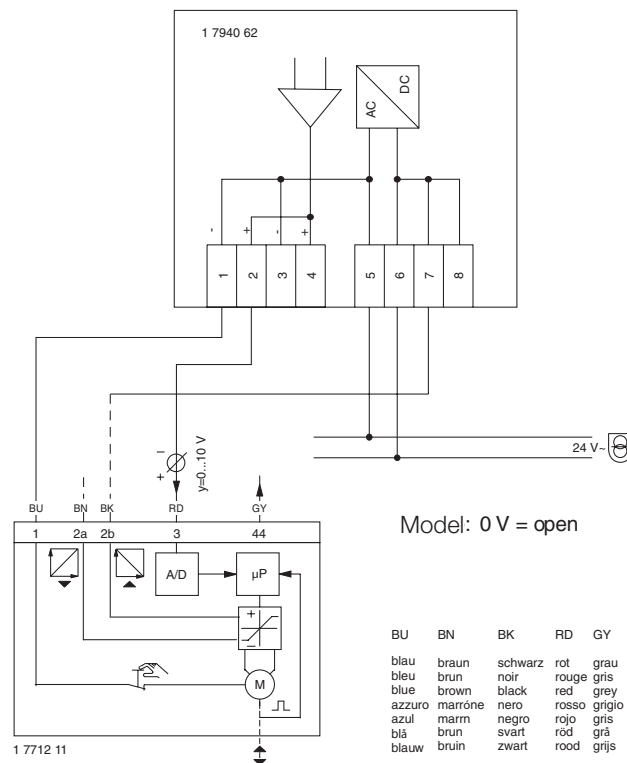
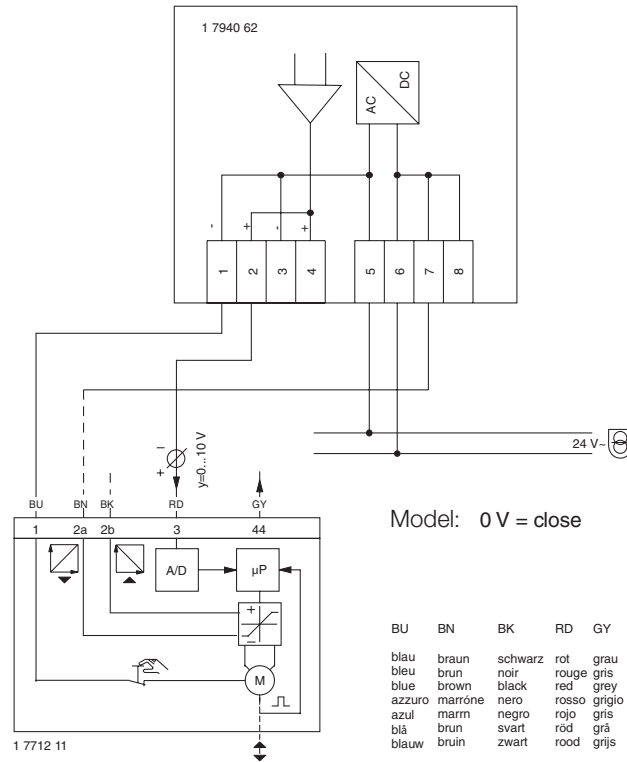
☑ Wiring diagram

1 7712 11



1 7712 50 or 1 7712 51





All specifications and statements within this document are according to information available at the time of printing and meant for informational purpose only. Herz Armaturen reserves the right to modify and change products as well as its technical specifications and/or its functioning according to technological progress and requirements. It is understood that all images of Herz products are symbolic representations and therefore may visually differ from the actual product. Colours may differ due to printing technology used. In case of any further questions don't hesitate to contact your closest HERZ Branch-office.